
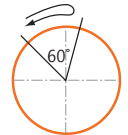
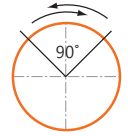
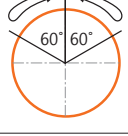
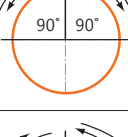
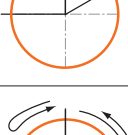
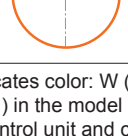
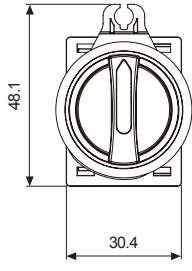
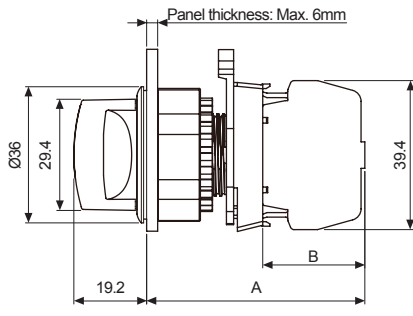


Ø30 Standard Lever Selector Switches (S3SF Series)

Type	Appearance	Operating position	Model	Contact block		LED block										
				A contact	B contact	AC/DC voltage	AC voltage									
Standard short lever, flush	 <p>S3SF-S1R□</p>	2-position, spring return 	S3SF-S1 □A(M)	1EA	—	—	—									
			S3SF-S1 □2A(M)	2EA	—											
			S3SF-S1 □B(M)	—	1EA											
			S3SF-S1 □2B(M)	—	2EA											
			S3SF-S1 □AB(M)	1EA	1EA											
		2-position, main-tained 	S3SF-S3 □A(M)	1EA	—											
			S3SF-S3 □2A(M)	2EA	—											
			S3SF-S3 □B(M)	—	1EA											
			S3SF-S3 □2B(M)	—	2EA											
			S3SF-S3 □AB(M)	1EA	1EA											
		3-position, spring return two-way 	S3SF-S5 □2A(M)	2EA	—											
			S3SF-S5 □2B(M)	—	2EA											
			S3SF-S5 □AB(M)	1EA	1EA											
		3-position, main-tained 	S3SF-S7 □2A(M)	2EA	—											
			S3SF-S7 □2B(M)	—	2EA											
			S3SF-S7 □AB(M)	1EA	1EA											
		3-position, spring return from right 	S3SF-SA □2A(M)	2EA	—											
			S3SF-SA □2B(M)	—	2EA											
			S3SF-SA □AB(M)	1EA	1EA											
		3-position, spring return from left 	S3SF-SC □2A(M)	2EA	—											
			S3SF-SC □2B(M)	—	2EA											
			S3SF-SC □AB(M)	1EA	1EA											
		<p>※□ indicates color: W (white), R (red) ※The (M) in the model name indicates modular type contacts. Models without (M) are singular types. ※The control unit and contact blocks are sold separately. (control unit: bold letters, contact block: regular letters) ※Connect up to 2 contact blocks. Connect the contact blocks only on the side slots. It will not operate if connected to the center slot.</p>														
		<p>• Dimensions (unit: mm)</p> <div style="display: flex; justify-content: space-around; align-items: flex-start;"> <div style="text-align: center;">  <p>48.1 30.4</p> </div> <div style="text-align: center;">  <p>Panel thickness: Max. 6mm Ø36 29.4 19.2 39.4 A B</p> </div> <div style="border: 1px solid black; padding: 5px;"> <table border="1"> <thead> <tr> <th></th> <th>A</th> <th>B</th> </tr> </thead> <tbody> <tr> <td>Singular type contact</td> <td>57.7</td> <td>27.0</td> </tr> <tr> <td>Modular type contact</td> <td>55.7</td> <td>25.0</td> </tr> </tbody> </table> </div> </div> <p style="text-align: right;">※For panel cut-out dimensions, please refer to page A-52.</p>									A	B	Singular type contact	57.7	27.0	Modular type contact
	A	B														
Singular type contact	57.7	27.0														
Modular type contact	55.7	25.0														