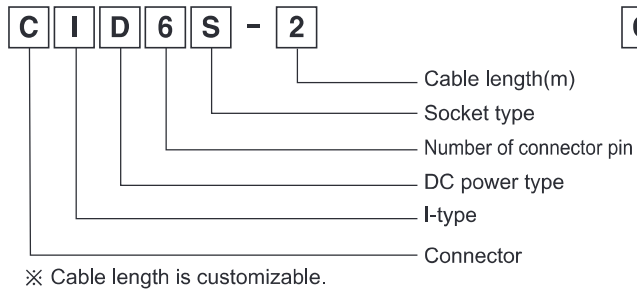


# Encoder Connector Cable

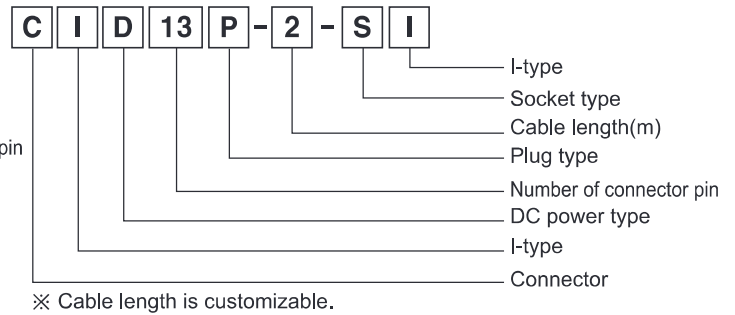
## Encoder connector cable / Connector connection cable

### Ordering information

#### Connector cable(Socket type)



#### Connector connection cable(Socket-Plug type)

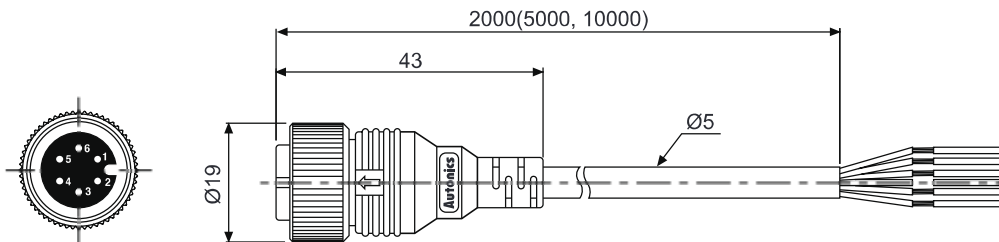


### Dimensions

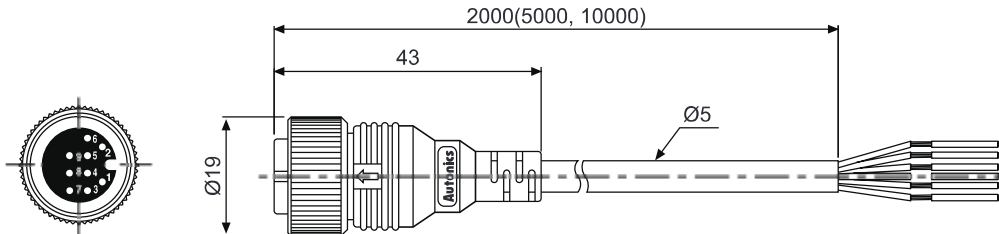
(unit: mm)

#### Connector cable(Socket type)

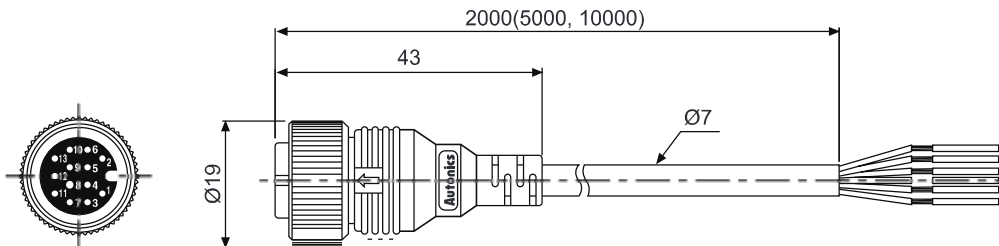
- CID6S-2, CID6S-5, CID6S-10 (Totem pole output / NPN open collector output / Voltage output)



- CID9S-2, CID9S-5, CID9S-10 (Line driver output)



- CID13S-2, CID13S-5, CID13S-10



#### Connector connection cable(Socket-Plug type)

- CID13P-2-SI, CID13P-5-SI, CID13P-10-SI

