
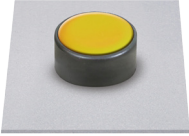
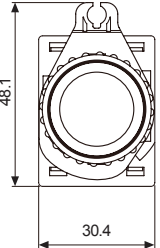
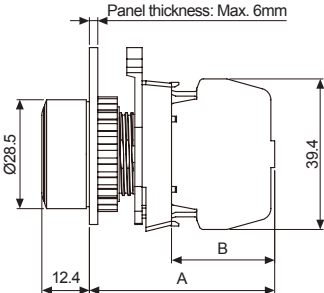


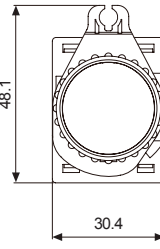
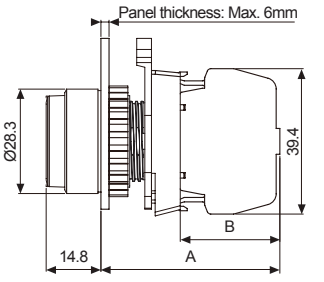


Ø22/25 Round Push Button Switches (S2PR Series)

| Type | Appearance | Model | Contact block | | LED block | | | | | | | | | | |
|---|---|----------------|---------------|-----------|---------------|------------|--|---|---|-----------------------|------|------|----------------------|------|------|
| | | | A contact | B contact | AC/DC voltage | AC voltage | | | | | | | | | |
| Extended |  S2PR-P1Y□  | S2PR-P1□A(M) | 1EA | — | — | — | | | | | | | | | |
| | | S2PR-P1□2A(M) | 2EA | — | | | | | | | | | | | |
| | | S2PR-P1□3A(M) | 3EA | — | | | | | | | | | | | |
| | | S2PR-P1□B(M) | — | 1EA | | | | | | | | | | | |
| | | S2PR-P1□2B(M) | — | 2EA | | | | | | | | | | | |
| | | S2PR-P1□3B(M) | — | 3EA | | | | | | | | | | | |
| | | S2PR-P1□AB(M) | 1EA | 1EA | | | | | | | | | | | |
| | | S2PR-P1□2AB(M) | 2EA | 1EA | | | | | | | | | | | |
| | | S2PR-P1□A2B(M) | 1EA | 2EA | | | | | | | | | | | |
| <p>※□ indicates color: R (red), B (blue), G (green), Y (yellow), K (black) ※The (M) in the model name indicates modular type contacts. Models without (M) are singular types. ※The control unit and contact blocks are sold separately. (control unit: bold letters, contact block: regular letters) ※Waterproof cap available (SA-WP)</p> <p>• Dimensions (unit: mm)</p> <div style="display: flex; justify-content: space-around;">   <table border="1" data-bbox="1217 981 1445 1099"> <thead> <tr> <th></th> <th>A</th> <th>B</th> </tr> </thead> <tbody> <tr> <td>Singular type contact</td> <td>48.5</td> <td>27.0</td> </tr> <tr> <td>Modular type contact</td> <td>46.5</td> <td>25.0</td> </tr> </tbody> </table> </div> <p>※For panel cut-out dimensions, please refer to page A-36.</p> | | | | | | | | A | B | Singular type contact | 48.5 | 27.0 | Modular type contact | 46.5 | 25.0 |
| | A | B | | | | | | | | | | | | | |
| Singular type contact | 48.5 | 27.0 | | | | | | | | | | | | | |
| Modular type contact | 46.5 | 25.0 | | | | | | | | | | | | | |
| Type | Appearance | Model | Contact block | | LED block | | | | | | | | | | |
| | | | A contact | B contact | AC/DC voltage | AC voltage | | | | | | | | | |
| Extended button |  S2PR-E1G□  | S2PR-E1□A(M) | 1EA | — | — | — | | | | | | | | | |
| | | S2PR-E1□2A(M) | 2EA | — | | | | | | | | | | | |
| | | S2PR-E1□3A(M) | 3EA | — | | | | | | | | | | | |
| | | S2PR-E1□B(M) | — | 1EA | | | | | | | | | | | |
| | | S2PR-E1□2B(M) | — | 2EA | | | | | | | | | | | |
| | | S2PR-E1□3B(M) | — | 3EA | | | | | | | | | | | |
| | | S2PR-E1□AB(M) | 1EA | 1EA | | | | | | | | | | | |
| | | S2PR-E1□2AB(M) | 2EA | 1EA | | | | | | | | | | | |
| | | S2PR-E1□A2B(M) | 1EA | 2EA | | | | | | | | | | | |
| <p>※□ indicates color: R (red), B (blue), G (green), Y (yellow), K (black) ※The (M) in the model name indicates modular type contacts. Models without (M) are singular types. ※The control unit and contact blocks are sold separately. (control unit: bold letters, contact block: regular letters)</p> <p>• Dimensions (unit: mm)</p> <div style="display: flex; justify-content: space-around;">   <table border="1" data-bbox="1217 1832 1445 1951"> <thead> <tr> <th></th> <th>A</th> <th>B</th> </tr> </thead> <tbody> <tr> <td>Singular type contact</td> <td>48.5</td> <td>27.0</td> </tr> <tr> <td>Modular type contact</td> <td>46.5</td> <td>25.0</td> </tr> </tbody> </table> </div> <p>※For panel cut-out dimensions, please refer to page A-36.</p> | | | | | | | | A | B | Singular type contact | 48.5 | 27.0 | Modular type contact | 46.5 | 25.0 |
| | A | B | | | | | | | | | | | | | |
| Singular type contact | 48.5 | 27.0 | | | | | | | | | | | | | |
| Modular type contact | 46.5 | 25.0 | | | | | | | | | | | | | |