
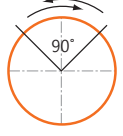
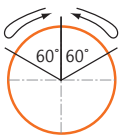
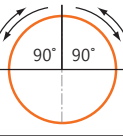
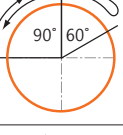
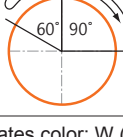
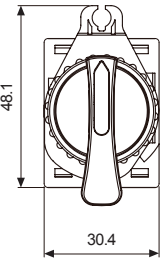
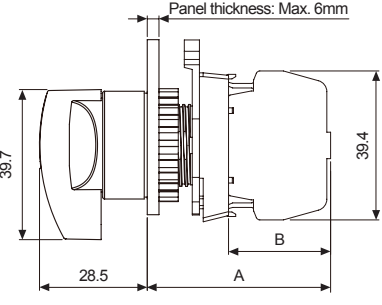


Type	Appearance	Operating position	Model	Contact block		LED block										
				A contact	B contact	AC/DC voltage	AC voltage									
Standard long lever, extended	 <p>S2SR-S2W□</p>	2-position, maintained		S2SR-S4□A(M)	1EA	—	—	—								
				S2SR-S4□2A(M)	2EA	—										
				S2SR-S4□B(M)	—	1EA										
				S2SR-S4□2B(M)	—	2EA										
				S2SR-S4□AB(M)	1EA	1EA										
		3-position, spring return two-way		S2SR-S6□2A(M)	2EA	—										
				S2SR-S6□2B(M)	—	2EA										
				S2SR-S6□AB(M)	1EA	1EA										
		3-position, maintained		S2SR-S8□2A(M)	2EA	—										
				S2SR-S8□2B(M)	—	2EA										
				S2SR-S8□AB(M)	1EA	1EA										
		3-position, spring return from right		S2SR-SB□2A(M)	2EA	—										
				S2SR-SB□2B(M)	—	2EA										
				S2SR-SB□AB(M)	1EA	1EA										
		3-position, spring return from left		S2SR-SD□2A(M)	2EA	—										
				S2SR-SD□2B(M)	—	2EA										
				S2SR-SD□AB(M)	1EA	1EA										
		<p>□ indicates color: W (white), R (red)                      *The (M) in the model name indicates modular type contacts. Models without (M) are singular types.                      *The control unit and contact blocks are sold separately.                      (control unit: bold letters, contact block: regular letters)                      *Connect up to 2 contact blocks.                      Connect the contact blocks only on the side slots. It will not operate if connected to the center slot.</p>														
<p>• Dimensions <span style="float: right;">(unit: mm)</span></p> <div style="display: flex; justify-content: space-around; align-items: flex-start;"> <div style="text-align: center;">  </div> <div style="text-align: center;">  </div> <div style="border: 1px solid black; padding: 5px;"> <table border="1"> <thead> <tr> <th></th> <th>A</th> <th>B</th> </tr> </thead> <tbody> <tr> <td>Singular type contact</td> <td>48.5</td> <td>27.0</td> </tr> <tr> <td>Modular type contact</td> <td>46.5</td> <td>25.0</td> </tr> </tbody> </table> </div> </div>									A	B	Singular type contact	48.5	27.0	Modular type contact	46.5	25.0
	A	B														
Singular type contact	48.5	27.0														
Modular type contact	46.5	25.0														
<p>※For panel cut-out dimensions, please refer to page A-36.</p>																