

## HOT Series:

The HOT Series is a high quality all stainless steel pressure transmitter, intended for use in the measurement of gases and liquids compatible with stainless steel.

The HOT Series is suitable for automotive, industrial hydraulics, refrigeration, off-road, construction and agricultural applications.

With additional EMI / RFI protection, low static and thermal errors and high resistance to shock and vibration as standard, the HOT Series assures trouble free operation at temperatures up to °125C.

The HOT Series piezo resistive sensing element coupled with the latest ASIC circuitry, assures excellent accuracy, choice of high level outputs and long stability, protected within a rugged, stainless steel housing.

The HOT Series high strength stainless steel construction contains no silicone oil and no internal O- rings. Measurements are available in gauge and absolute pressure, with ranges up to 4,000 bar and are backed by a one-year warranty.

Technical Specifications	
Protection standard	IP66
Operating temperature	-25 To +125
Body Material	Stainless steel 304
Connection Type	1/4 inch
Weight	60g
Diameter	22mm
During the sensor	66mm
Response Time	Less than 1 ms
The initial pressure	To 4 times the rated
Proper functioning	Up to 2 times rated
Shake	25 G, 20 ~ 2000Hz
Shock	100G, 11 msec, 1 / 2sine

Applications	
• air compressor	• Pump control
• Crane	• Building installations
• Press	
• Plastic Machinery	
• Level control	

Code	Output	Range
HOTH000.6FLCK	4-20 mA	0 ~ 600 Mb
HOTH0004FLCK	4-20 mA	0 ~ 4 bar
HOTH0006FLCK	4-20 mA	0 ~ 6 bar
HOTH0010FLCK	4-20 mA	0 ~ 10 bar
HOTH0016FLCK	4-20 mA	0 ~ 16 bar
HOTH002.5FLCK	4-20 mA	0 ~ 2/5 bar
HOTH0025FLCK	4-20 mA	0 ~ 25 bar
HOTH0040FLCK	4-20 mA	0 ~ 40 bar
HOTH0100FLCK	4-20 mA	0 ~ 100 bar
HOTH0160FLCK	4-20 mA	0 ~ 160 bar
HOTH0250FLCK	4-20 mA	0 ~ 250 bar
HOTH0400FLCK	4-20 mA	0 ~ 400 bar
HOTH0600FLCK	4-20 mA	0 ~ 600 bar
HOTH0C0001FLCK	4-20 mA	-1 ~ 1 bar
HOTH0C0004FLCK	4-20 mA	-1 ~ 4 bar
HOTF0010FLCK	0-5 V	0 ~ 10 bar
HOTF0016FLCK	0-5 V	0 ~ 16 bar
HOTH0800FLCK	4-20 mA	0 ~ 800 bar
HOTH01000FLCK	4-20 mA	0 ~ 1000 bar
HOTJ0010FLCK	0-10 V	0 ~ 10 bar
HOTJ0016FLCK	0-10 V	0 ~ 16 bar
HOTJ0025FLCK	0-10 V	0 ~ 25 bar
HOTJ0040FLCK	0-10 V	0 ~ 40 bar
HOTJ0250FLCK	0-10 V	0 ~ 250 bar



## HOT H 0004 F L C K

### Model Name

HOT Series (Normal Pressure Transmitters)  
 HOX Series (Explosion Proof Pressure Transmitters)  
 HOF Series (Flush Diaphragm Pressure Transmitters)  
 HOM Series (Milli Bar Pressure Transmitters)  
 HOD Series (High Pressure , Pressure Transmitters)

### Output

H : 2 Wire 4 ~ 20 MA  
 HC : 2 Wire 4 ~ 20 MA Compound  
 J : 3 Wire 0 ~ 10 V  
 JC : 3 Wire 0 ~ 10 V Compound  
 F : 3 Wire 0 ~ 5 V

### Pressure Range

HOT Series : 0 ~ 600 Mbar , -1 ~ 1000 Bar  
 HOX Series : 0 ~ 2000 Bar  
 HOF Series : 0 ~ 200 Bar  
 HOM Series : 0 ~ 500 Mbar  
 HOD Series : 0 ~ 4000 Bar

### Type of Pressure Measurement

K : Gauge

### Connector

C : DIN EN 803 - 175301 Connector

### Pressure Port

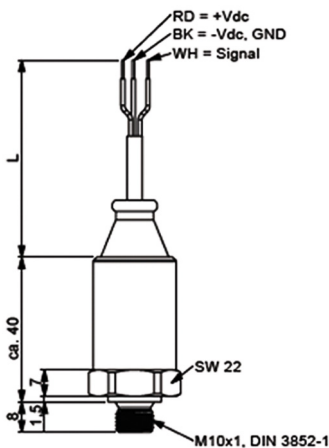
L : NPT 1/4"  
 W: G 1/2"(Flush Diaphragm)  
 G: G 1/4"(Normal Type)  
 M: M18x1.5"(High Pressure)

### Pressure Unit

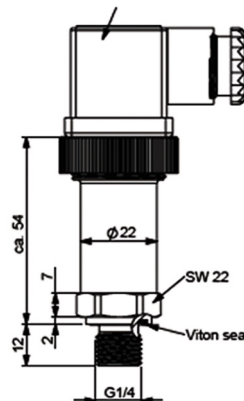
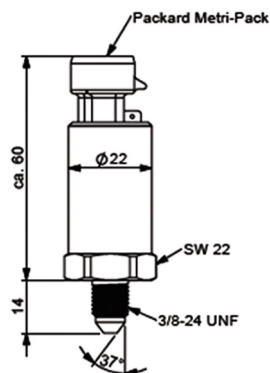
F : BAR  
 R : KPA  
 P : PSI

## Dimensions :

### Cable assembly



### Packard Metripac Connector DIN EN 175301 - 803 Connector



## Performance :

Accuracy @ RT	% of the range < 0.5 BFSL ≤ 0.125	(incl. nonlinearity, hysteresis, repeatability, zero-offset and final offset acc. to IEC 61298-2)
Non-linearity	% of the range ≤ 0.15	
Repeatability	% of the range ≤ 0.10	
Stability/year	% of the range ≤ 0.10	
For pressure ranges above 2000 bar:		
Accuracy @ RT	% of the range < 1.0 BFSL ≤ 0.5	(incl. nonlinearity, hysteresis, repeatability, zero-offset and final
Non-linearity	% of the range ≤ 0.30	
Repeatability	% of the range ≤ 0.20	
Stability/year	% of the range ≤ 0.20	
Response time	(10..90%) t(ms) < 1	
Overrange pressure	up to 2x rated pressure	
Burst pressure	up to 5x rated pressure	
Pressure cycles	> 10 million	

## Environment :



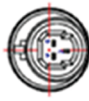
Temperature [°C]:	
Measuring medium	-40...125
Ambience	-40...105
Storage	-40...125
Compensated range	-20...85
Temperature coefficient within the compensated range:	
Mean TC offset	% of the range ≤ 0,15 / 10K
Mean TC range	% of the range ≤ 0,15 / 10K
Shock	1000 G, 11 msec., 1/2 Sine
Sealing	IP 66, optional IP69K

## Electronics :

Excitation	5 VDC for 0.5 – 4.5 V output, 10 - 32 VDC for 0 - 5 V, 1 - 5 V, 4...20 mA output 12 - 32 VDC for 0 – 10V output
Output impedance	< 100 Ω
Current consumption	< 10 mA
Reverse voltage protection	Yes

## Mechanics :

Housing incl. wetted parts	304 stainless steel
Pressure port	see select table
Electrical connection	see select table
Weight	ca. 60g

Type	Output	PIN 1	PIN 2	PIN 3	PIN 4
 <b>DIN EN 175301-8 03-A and C</b>	0.5 - 4.5 V , 1 - 5 V , 0 - 10 V	+ Supply	- Supply	Output +	-
	4 .. 20 mA	+ Supply	Current Output -	N / A	-
	I <sup>2</sup> C	N / A	N / A	N / A	-
 <b>Round connector M12x1 A</b>	0.5 - 4.5 V , 1 - 5 V , 0 - 10 V	+ Supply	N / A	- Supply	Output +
	4 .. 20 mA	+ Supply	N / A	Current Output -	N / A
	I <sup>2</sup> C	1   V +	2   V -	3   SCL	4   SDA
 <b>Packard Metripac</b>	Output	PIN A	PIN B	PIN C	-
	0.5 - 4.5 V , 1 - 5 V , 0 - 10 V	- Supply	+ Supply	Output +	-
	4 .. 20 mA	Current Output -	+ Supply	N / A	-
<b>Cable assembly</b>	Output	Red	Black	White	Green
	0.5 - 4.5 V , 1 - 5 V , 0 - 10 V	+ Supply	- Supply	Output +	-
	4 .. 20 mA	+ Supply	Current Output -	N / A	-
	I <sup>2</sup> C	V +	V -	SCL	SDA