

KTM-AM MULTI-TIMER

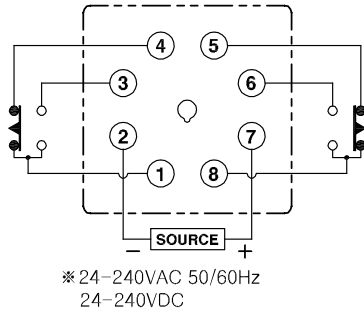


Specification

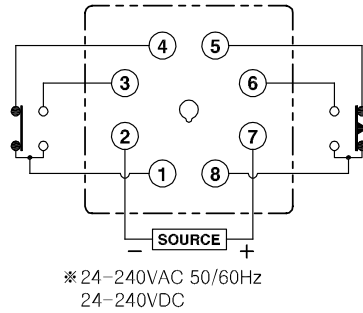
Model	KTM - AM8		KTM - AM11
Time Range	0.05sec~300 hours		
Voltage	24~240VAC(50/60Hz), 24~240VDC		
Power Consumption	24~240VAC: relay ON(2.5VA) relay OFF(0.8VA) 24~240VDC: relay ON(1.0W) relay OFF(0.3W)		
Output	Mode1&5: time - limit 2C		
Output	Mode2,3,4,6: instantaneous 1C+time - limit 1C		
Ratings	250VAC 5A(Resistive load)		
Relay durability	Mechanical: 10,000,000 operations Electrical: 100,000 operations		
Returning time	Max. 100ms		
Input	Start	-	Minimum signal width: 50ms
	Inhibit	-	non - voltage input
	Reset	-	non - voltage input
Repetition error	± 0.3% Max.		
Setting error	± 5% ± 50ms Max.		
Voltage error	± 0.2% Max.		
Temperature error	± 2% Max.		
Insulation resistance	100MΩ(500VDC)		
Dielectric strength	2,000VAC 50/60Hz for 1 minute		
Anti-noise resistance	Square wave (pulse width 1 μs) by noise simulator ± 2KV		
Vibration	Resistance	10~55Hz at double amplitude: 0.75mm(X,Y,Z directions) for 1 hour	
	Malfunction	10~55Hz at double amplitude: 0.5mm(X,Y,Z directions) for 10 min.	
Ambient Temperature	- 10~+55 (not freezing condition)		
Ambient Humidity	35~85% RH		
Weight	100g		

Wiring diagram

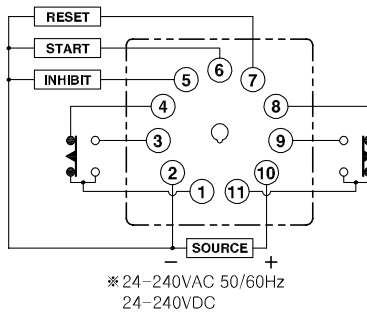
KTM-AM8: Mode 1 or 5



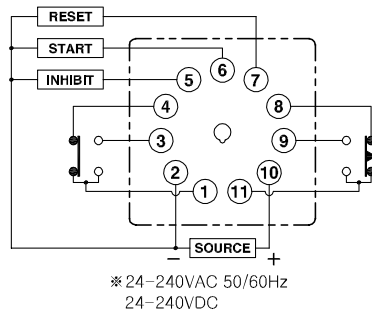
KTM-AM8: Mode 2, 3, 4, 6



KTM-AM11

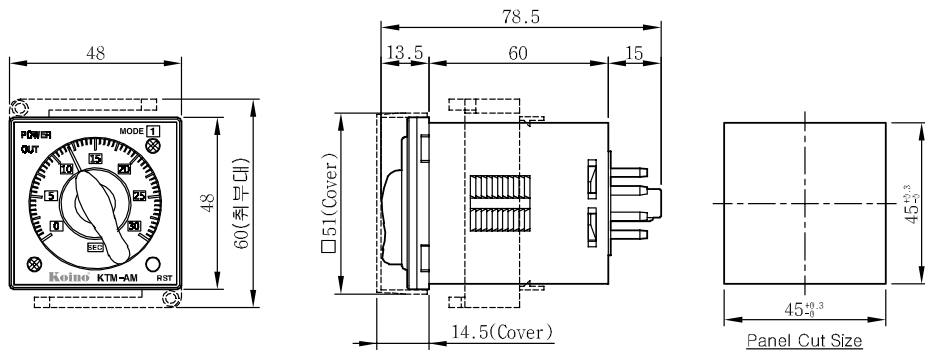


KTM-AM11E

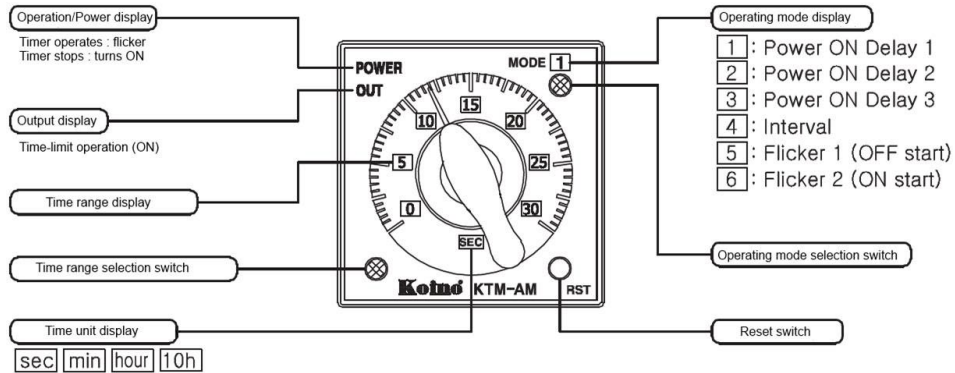


Dimensions

KTM-AM



Operating Front Panel



Time range

Time Unit	Time Range	Setting Time
Sec	1.2	0.05~1.2
Min	3	0.2~3
Hour	12	1~12
10 Hour	30	2~30

Mode Setting

Mode	Output	Output
	KTM-AM8	KTM-AM11
1	POWER ON DELAY 1	SIGNAL ON DELAY
2	POWER ON DELAY 2	FLICKER 1(OFF START)
3	POWER ON DELAY 3	FLICKER 2(ON START)
4	INTERVAL	INTERVAL
5	FLICKER 1(OFF START)	SIGNAL OFF DELAY
6	FLICKER 2(ON START)	SIGNAL; ON/OFF DELAY

Operating mode: KTM - AM8

Mode	Time line
<p>1</p> <p>Power ON Delay 1</p>	<p>Power 2-7 Time limit NC 1-4, 8-5 Time limit NO 1-3, 8-6 Time limit Indicator Power indicator</p>
<p>2</p> <p>Power ON Delay 2</p>	<p>Power 2-7 Time limit NC 8-5 Time limit NO 8-6 Instantaneous NC 1-4 Instantaneous NC 1-3 Time limit Indicator Power indicator</p>
<p>3</p> <p>Power ON Delay 3</p>	<p>Power 2-7 Time limit NC 8-5 Time limit NO 8-6 Instantaneous NC 1-4 Instantaneous NC 1-3 Time limit Indicator Power indicator</p>
<p>4</p> <p>Interval</p>	<p>Power 2-7 Time limit NC 8-5 Time limit NO 8-6 Instantaneous NC 1-4 Instantaneous NC 1-3 Time limit Indicator Power indicator</p>
<p>5</p> <p>Flicker 1 (OFF start)</p>	<p>Power 2-7 Time limit NC 1-4, 8-5 Time limit NO 1-3, 8-6 Time limit Indicator Power indicator</p>
<p>6</p> <p>Flicker 2 (ON start)</p>	<p>Power 2-7 Time limit NC 8-5 Time limit NO 8-6 Instantaneous NC 1-4 Instantaneous NC 1-3 Time limit Indicator Power indicator</p>

Operating mode: KTM - AM11, KTM - AM11E

Mode	Time line
1 SIGNAL ON Delay 1	<p>Power 2-10 START 2-6 INHIBIT 2-5 RESET 2-7 Time-limit contact NC Time-limit contact NO Time-limit output indicator Power/Operation indicator</p>
2 FLICKER1 (OFF START)	<p>Power 2-10 START 2-6 INHIBIT 2-5 RESET 2-7 Time-limit contact NC Time-limit contact NO Time-limit output indicator Power/Operation indicator</p>
3 FLICKER2 (ON START)	<p>Power 2-10 START 2-6 INHIBIT 2-5 RESET 2-7 Time-limit contact NC Time-limit contact NO Time-limit output indicator Power/Operation indicator</p>
4 Interval	<p>Power 2-10 START 2-6 INHIBIT 2-5 RESET 2-7 Time-limit contact NC Time-limit contact NO Time-limit output indicator Power/Operation indicator</p>
5 SIGNAL OFF DELAY	<p>Power 2-10 START 2-6 INHIBIT 2-5 RESET 2-7 Time-limit contact NC Time-limit contact NO Time-limit output indicator Power/Operation indicator</p>
6 SIGNAL ON/OFF DELAY	<p>Power 2-10 START 2-6 INHIBIT 2-5 RESET 2-7 Time-limit contact NC Time-limit contact NO Time-limit output indicator Power/Operation indicator</p>