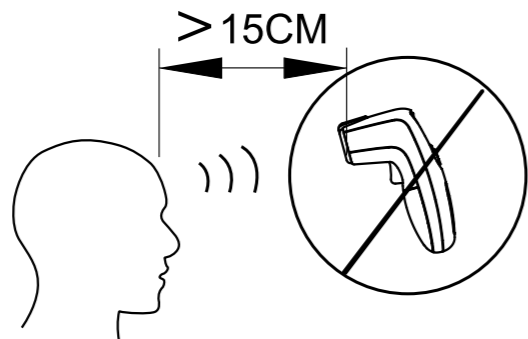


Description

This product uses infrared induction principle can be fast, accurate temperature measurement of the amount that can quickly selected from a large population the higher temperature

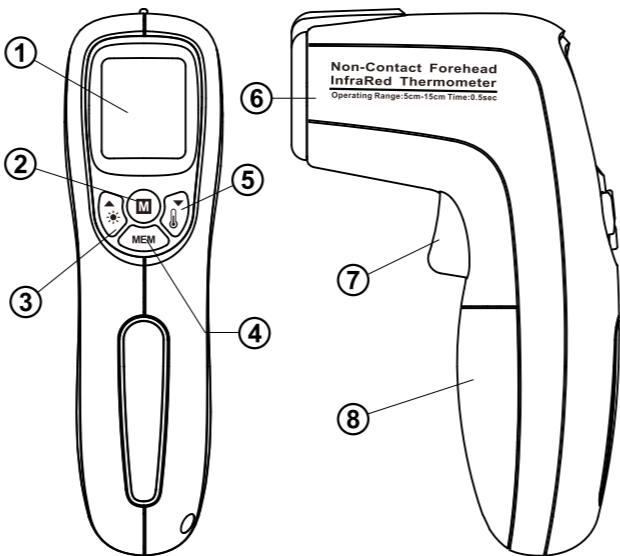
- Automatic temperature compensation.
- Range: 32°C~42°C
- Automatic storage 10 groups data
- °C/°F Selectable



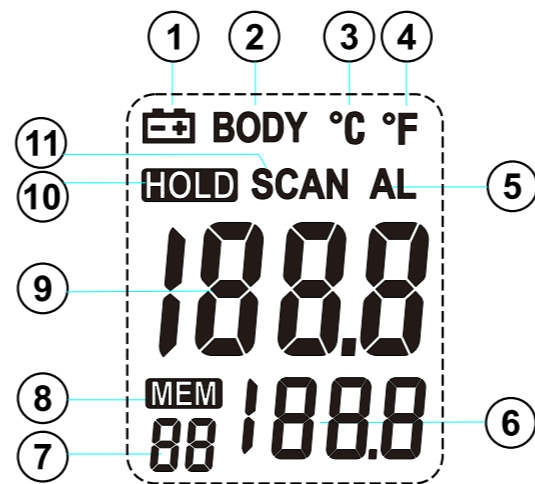
Warning

- Please read the following information carefully before using the meter.
- the body temperature measurement for reference only, shall not be used as the basis for medical practices to determine if have abnormal temperature, make further use of medical thermometer measurements
- Measurement distance : 5~15cm.
- When the battery symbol appears, it indicates that we must change the battery

PANEL



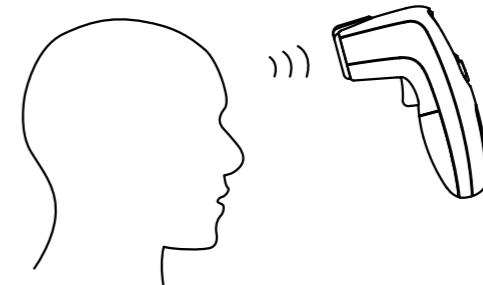
- | | |
|------------|-----------------|
| ① Screen | ⑤ °C/°F Switch |
| ② Mode key | ⑥ Sensor |
| ③ Backlit | ⑦ Tirger |
| ④ Mem key | ⑧ Battery cover |



Display

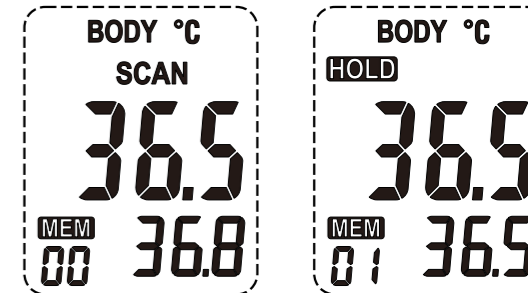
- | | |
|------------------|---------------------|
| ① Low battery | ⑥ Secondary display |
| ② Forhead mode | ⑦ Mem index |
| ③ °C unit | ⑧ Mem function |
| ④ °F unit | ⑨ Primary display |
| ⑤ Alarm function | ⑩ Hold mode |
| | ⑪ Scan mode |

Operatoring thermometer



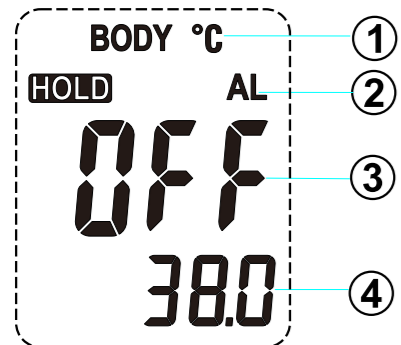
- To measure Body temperature, the measuring distance 5 ~ 15cm; press the trigger start measuring, approx 1s ,the meter sound prompts to measurement complete.when the temperature higher 42 °C or lower 32 °C the meter display 'Hi', 'LO'.
- The meter turns off when no activity is detected for ten seconds.
- Press ☀ key to light on or off the backlight.
- Press M key to enter alarm or temperature adjust function.
- Press ℹ key to switch between °C or °F.
- Press MEM key to active memory function.

Memory function



- Press 'MEM' key to active memory function ,in memory mode,the meter display 'MEM'.
- When memory function is activated ,after the measurement completed ,the meter will automatic record the data.
- Record up to 10 groups of the last measurement data, serial number from 0 to 9, when the stored number is greater than 9 meters automatically store the number 0 from the store.
- Press ▲ key to page up.
- Press ▼ key to page down

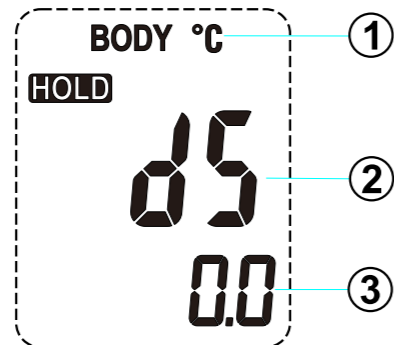
Alarm function



- ① Unit
- ② Alarm indicator
- ③ Alarm function status
- ④ Alarm value

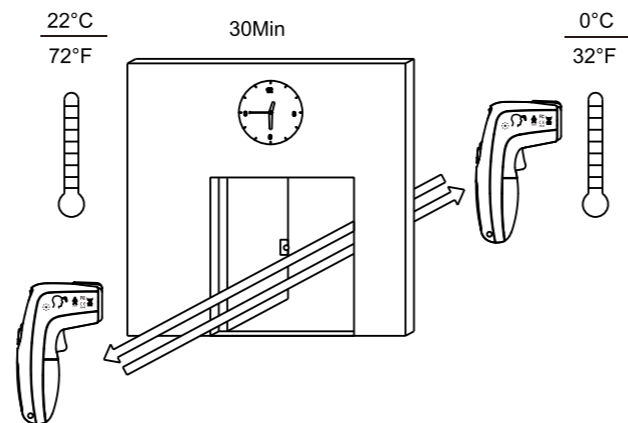
- Press **M** key switch to alarm function status.
- Press **MEM** key to turn on or off alarm function; then alarm function be turn on, the AL sign will be displayed in scan mode .
- Press **▲** key to increase the alarm value.
- Press **▼** key to decrease the alarm value.
- Press **M** key to save and exit alarm function status .

Temperature adjust



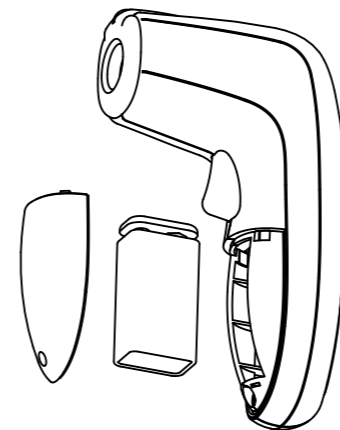
- ① Unit
- ② Temperature adjust status
- ③ Temperature adjust value

- Press **M** key switch to temperature adjust status.
- Press **▲** key to increase adjust value.
- Press **▼** key to decrease adjust value.
- Press **M** key to save and exit temperature adjust status.



Note 1:

When ambient temperature changes quickly, must wait 30 minutes to balance the temperature of the instrument before use.



Note 2:

When the battery voltage is lower, the battery symbol appears, it indicates that we must change the battery.

Specifications

Temperature range	32°C~42°C (89°F~108°F)	Certifications	CE
Accuracy:Assumes ambient operating temperature (23°C ±2°C)	32~42°C (±0.4°C)	Spectral response	8-14 um
Measurement distance	5~15cm	Response time	approx1s
Repeatability	0.1°C	Dimensions	142×92×47mm
Resolution	0.1°C/0.2°F	Weight	135g
Ambient Operating Range	15°C~35°C	Power	9V 6F22
Relative humidity	10%~90%		
Standards	Conforms to EN61326/EN61010-1		

Warranty

This produt will be free from defects in material and workmanship for eighteen months from the date of purchase. this warranty does not cover disposable batteries or damage for accident, neglect, misuse alteration conntamination, or abnormal conditions of operation ro handling.

