



벤처기업



벤처디자인



ISO9001 2008/ISO 14001 2004

INNOBIZ  
중소기업 기술혁신 협회



기업부설연구소

فروشگاه اینترنتی اتوماسیون ۲۴  
**Automation24**  
(۰۲۵) ۳۶۶۱۴۶۷۸ ۹ (۰۲۵) ۳۶۶۱۴۶۷۸



# SUNG-IL

Ultra-precision Couplings  
Connecting Shaft  
Support Units  
F.A. Units  
A.P. Lock



**Sung-il Machinery Co., Ltd.**

# SFC Series



## Flexible Coupling

'SI. CO' mark(Trademark : 40-2012-0061376) indicates that the authenticity is certified.

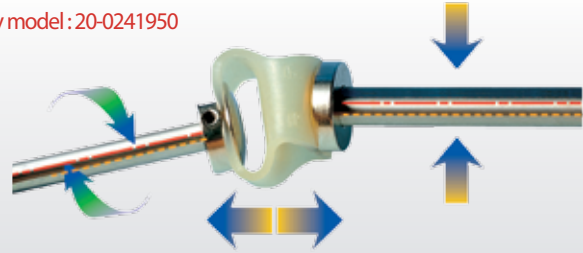


2006 Venture Design Award

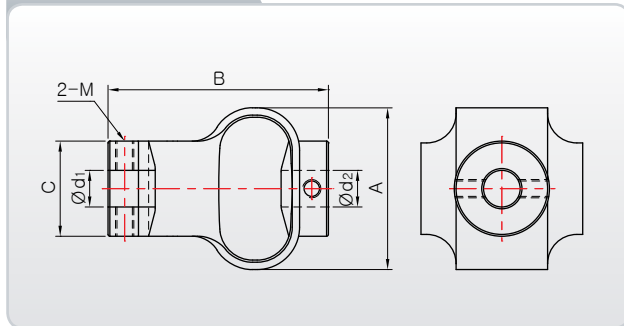
### Features

- Excellent absorbability in misalignment (eccentricity, angular misalignment, end-play)
- Absorbs impact and vibration
- No lubrication
- Low moment of inertia

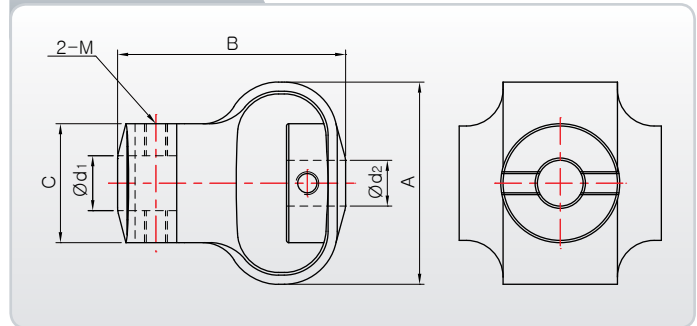
※ Patent /Utility model : 20-0241950



### SFC 29, 38



### SFC 48, 54



### Dimensions & Performance

Product Number	Dimension (mm)(±0.3)			Fastening Bolt M	Fastening Torque (N · m)	Mass (g)	Max. RPM (min <sup>-1</sup> )	Max Torque (N · m)	Permissible Angular misalignment (°)	Permissible Parallel misalignment (mm)	End-Play (mm)
	A	B	C								
SFC-29	25	28	18	M4	1.7	19	3,000	0.35	10	2	1.5
SFC-38	32	35	22.5	M4	1.7	38	3,000	1.35	10	2.5	2
SFC-48	43	50	26	M5	4	60	3,000	1.8	12	2.5	2
SFC-54	50	59	29.5	M6	7	140	3,000	4.5	12	3	2

### Standard Inner diameter

Product Number	Standard Inner diameter (d <sub>1</sub> , d <sub>2</sub> ) Standard INNER Diameter (mm)									
	4	5	6	8	10	12	14	15	16	
SFC-29	•	•	•	•	•					
SFC-38			•	•	•	•				
SFC-48				•	•	•	•			
SFC-54					•	•	•	•	•	

※ Please contact us when you order a product which is not a standard inner diameter

### How to order product



※ For INNER diameter, key type is not available for SFC type

※Please mark each inner diameter size.

※Please contact us when you order